

Installation Guide

You can download the user guide from www.tendacn.com for more details of the router.

600Mbps Wireless N Router
Model: F9

Packing List

- Wireless Router * 1
- Power Adapter * 1
- Ethernet Cable * 1
- Installation Guide * 1

If any item is incorrect, missing or damaged, please keep the original package and contact the vendor.



Scan to download Tenda App. Available on the Apple App Store and Google Play Store.

Configure The Router

*If you did NOT set up a dial-up connection on a router for internet access before using this router, refer to Option 1.

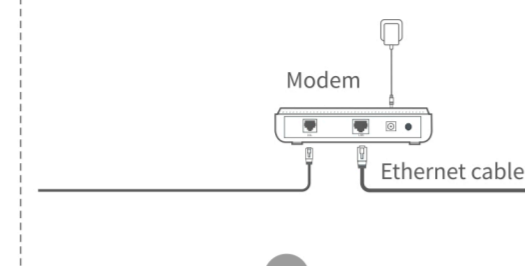
*If you use this router to replace an original one and you have set up a dial-up connection on the original router, refer to Option 2.

Option 1

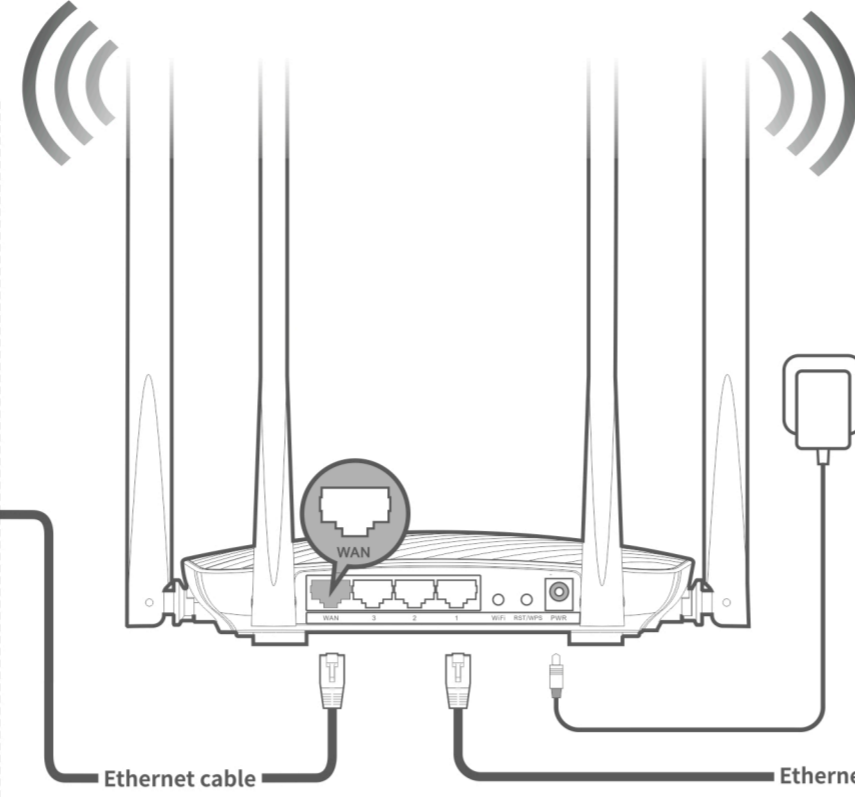
01 Connect your cable with internet connectivity provided by your ISP to your router.

Select an internet connection type to connect the router to the internet according to the internet connection type provided by your internet service provider (ISP).

Telephone line/Optic fiber/Cable TV



Ethernet cable



02 Connect a device to the router.

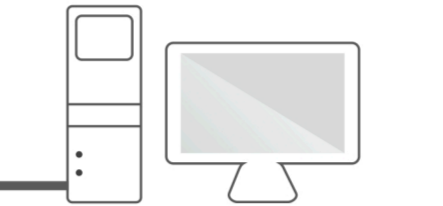
Wireless Connection

Use the WiFi name (Tenda_XXXXXX) on the label of the bottom panel of the router to connect the wireless devices to the wireless network. No WiFi password by default.



Wired Connection

Use an Ethernet cable to connect the computer to one of the LAN ports of the router.

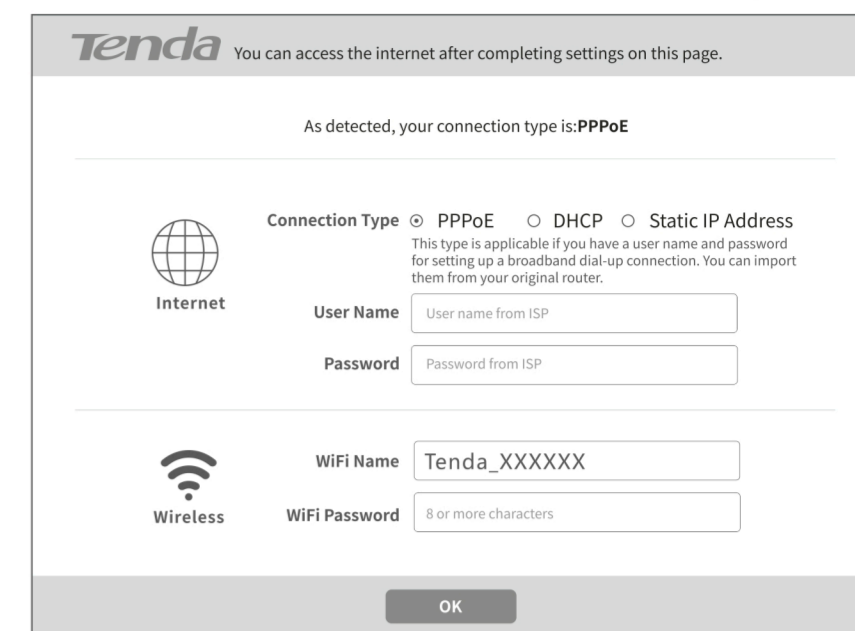


03 Set up an internet connection.

Step 1: Start a browser on a device connected to the router, enter tendawifi.com or 192.168.0.1 in the address bar, and press Enter on the keyboard.

Step 2: The router automatically detects your internet connection type. Enter the internet parameters according to the instructions on the page.

Step 3: Customize a WiFi name and password, and then click **OK** to apply the settings.



Option 2

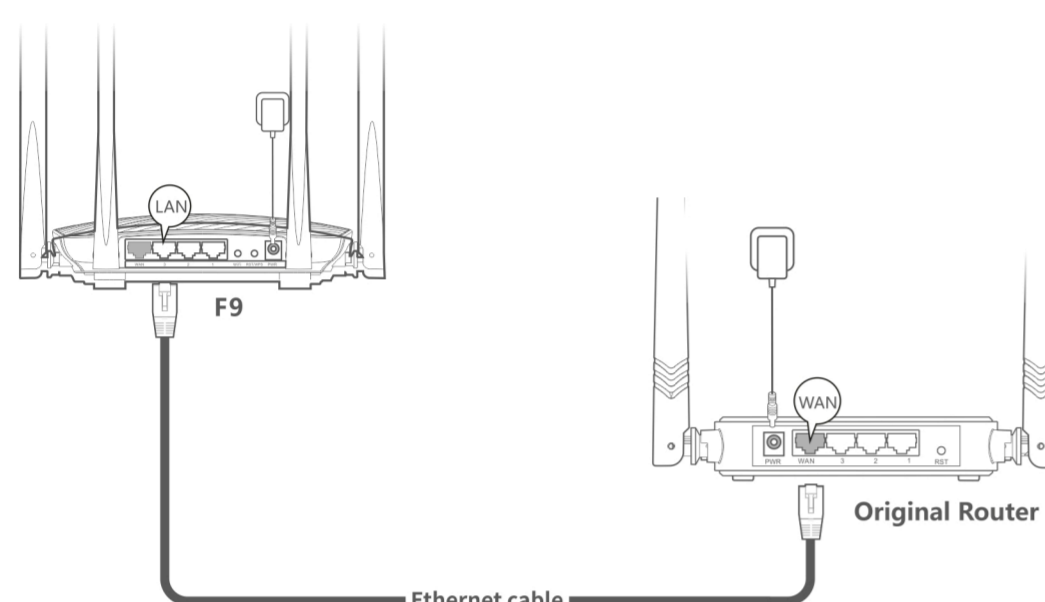
*If you use this router to replace an original one and you have set up a dial-up connection on the original router, the PPPoE user name and password can be imported to this router quickly to enable the router to access the internet without any configuration on its web UI.

01 Import pppoe user name and password.

Step 1: Power on the original router and this router.

Step 2: Connect the WAN port of the original router to one of LAN ports of this router using an Ethernet cable.

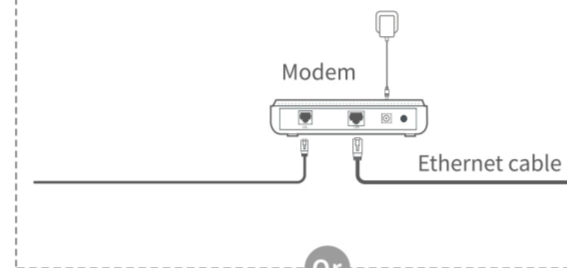
When all the LAN port indicators of this router stay on for 3 seconds, the PPPoE user name and password import succeeds.



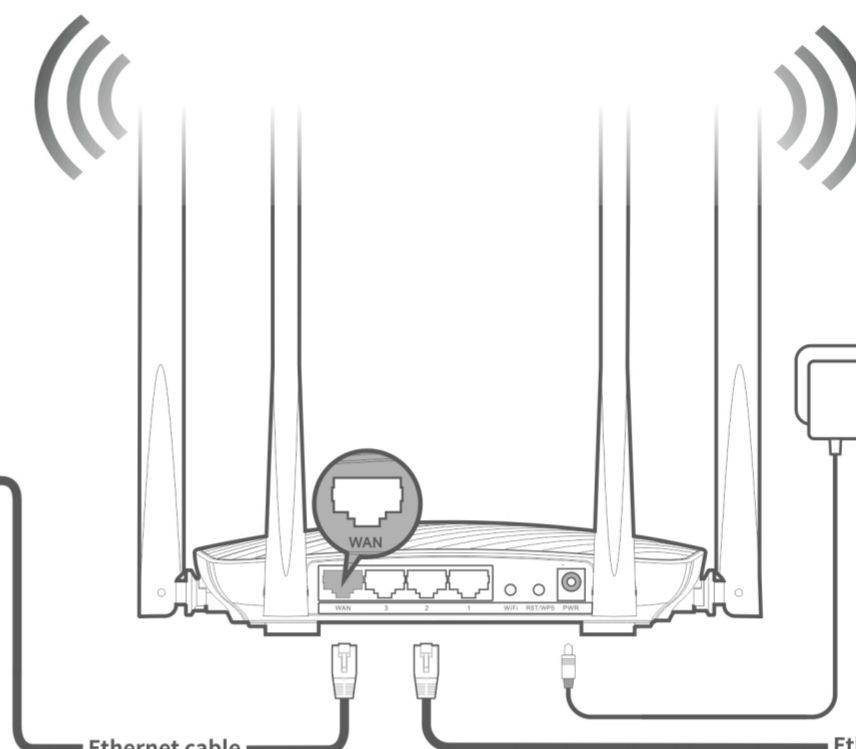
02 Connect your cable with internet connectivity provided by your ISP to your router.

Select an internet connection type to connect the router to the internet according to the internet connection type provided by your internet service provider (ISP).

Telephone line/Optic fiber/Cable TV



Ethernet cable



03 Connect a device to the router.

Wireless Connection

Use the WiFi name (Tenda_XXXXXX) on the label of the bottom panel of the router to connect the wireless devices to the wireless network. No WiFi password by default.



Wired Connection

Use an Ethernet cable to connect the computer to one of the LAN ports of the router.



Tip
There is no WiFi password by default. You'd better configure a WiFi password on the web UI of the router.

Appendix Join Your WiFi

Here we take iPhone/iPad/Windows 8 as examples. Steps on other operating systems are similar.

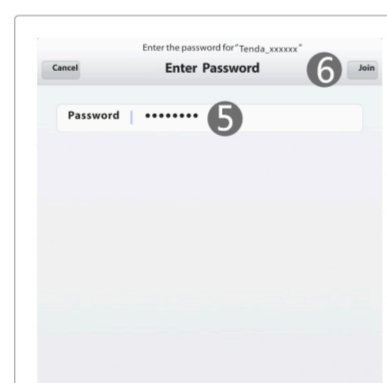
iPhone/iPad



1 Scroll screen to find the **Settings** icon. Click the icon.



- 2 Click **Wi-Fi**
- 3 Click to open Wi-Fi
- 4 Find the WiFi name you wish to connect. Click the name.

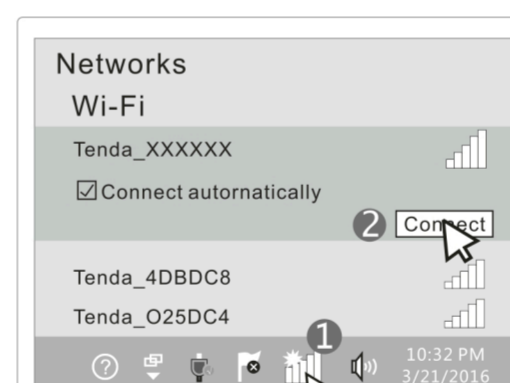


- 5 Enter the Wi-Fi password.
- 6 Click **Join** to join the WiFi network.

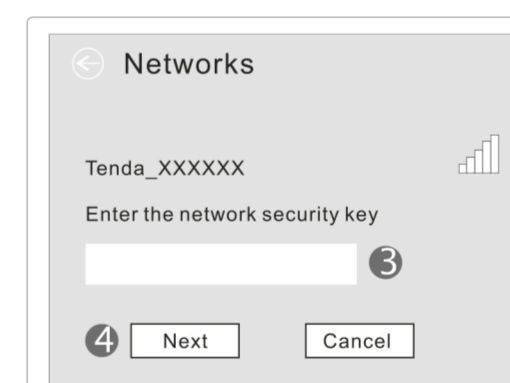


7 Connected successfully!

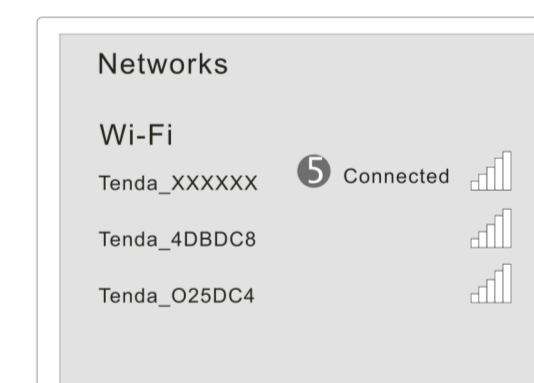
Windows 8



- 1 Click the icon on the bottom right corner of your desktop.
- 2 Select your WiFi name from the list, and click **Connect**.



- 3 Enter the WiFi password (network security key) of your WiFi.
- 4 Click **Next**.



5 Connected successfully!

LED	Status	Description
SYS	Blinking	The system is working properly.
	Off	The router is not connected to a power supply properly, or not connected to a power supply.
WiFi	Solid on	The WiFi feature is enabled.
	Blinking	The router is transmitting or receiving data wirelessly.
1/2/3	Off	The WiFi feature is disabled.
	Solid on	The LAN port is connected properly.
WAN	Blinking	The LAN port is transmitting or receiving data.
	Off	The LAN port is not connected, or not connected properly.
WPS	Solid on for 5min->Off	The WPS negotiation process succeeds.
	Blinking	The router is performing WPS negotiation.
WAN	Solid on	The WAN port is connected properly.
	Blinking	The WAN port is transmitting or receiving data.
WPS	Off	The WAN port is not connected, or not connected properly.
	Blinking	The router is performing WPS negotiation.
WAN	Solid on for 5min->Off	The WPS feature is enabled, but the router does not perform WPS negotiation. The WPS feature is disabled.
	Off	The WPS feature is disabled, but the router does not perform WPS negotiation. The WPS feature is disabled.

FAQ

Q1: What should I do if I cannot access the router login page at tendawifi.com or 192.168.0.1?

- A1: Use the following method to troubleshoot the fault and then try accessing the page again.
- Ensure that the connection between the router and your computer is correct. If you connect to the router wirelessly, ensure that the connected WiFi network belongs to the router.
 - Set the computer to obtain an IP address automatically.
 - Clear the cache of your web browser.
 - Use another web browser or computer to try again.
 - Reset the router. Power on the router, hold down the **WPS/RST** button for about 8 seconds.

Q2: What should I do if I cannot access the internet after configuring internet settings?

- A2: Try the following methods:
- Verify that the router is connected properly. If you use a mobile phone to access the internet through the router, verify that your mobile phone is connected to the WiFi network properly.
 - Set the computer to obtain an IP address automatically.
 - Use an Ethernet cable to connect your computer to the router, log in to the router web UI, change the WiFi name and password of the router, and reconnect to the WiFi network.
 - Clone the MAC address of your computer to your router.
 - Contact your ISP for help.

Q3: What should I do if I forget the WiFi password?

- A3: Try the following methods:
- Log in to the web UI of the router, and check it on Wireless Settings > WiFi Name and Password page.
 - If you forget the login password as well, reset the router to factory default settings by holding down the **WPS/RST** button on the back panel of the router for 8 seconds. Then you can reset a login password and WiFi password.

Q4: How to select a connection type?

A4: Follow the instructions in the table.

Internet Connection Type	Description
PPPoE	You can use a connection of this type to access the internet only after setting up a dial-up connection on the computer using a user name and password provided by your ISP, select PPPoE .
Static IP Address	You can use a connection of this type to access the internet only after setting a static IP address and other related information on your computer, select Static IP Address .
DHCP	You can use a connection of this type to access the internet without setting any parameters on your computer, select DHCP .



CE Mark Warning

This is a Class B product. In a domestic environment, this product may cause radio interference, in which case the user may be required to take adequate measures. This equipment should be installed and operated with minimum distance 20cm between the radiator & your body.

NOTE: (1) The manufacturer is not responsible for any radio or TV interference caused by unauthorized modifications to this equipment. (2) To avoid unnecessary radiation interference, it is recommended to use a shielded RJ45 cable.

Declaration of Conformity
Hereby, SHENZHEN TENDA TECHNOLOGY CO. LTD. declares that the radio equipment type F9 is in compliance with Directive 2014/53/EU.
The full text of the EU declaration of conformity is available at the following internet address: <http://www.tendacn.com/en/service/page/ce.html>
Operate Frequency: 2412-2472MHz
EIRP Power (Max.): 19.5 dBm
Software Version: V12.01.01.34



FCC Statement

This device is restricted to be used in the indoor.
This device complies with Part 15 of the FCC Rules. Operation is subject to the following two conditions: (1) This device may not cause harmful interference, and (2) this device must accept any interference received, including interference that may cause undesired operation.
This equipment has been tested and found to comply with the limits for a Class B digital device, pursuant to Part 15 of the FCC Rules. These limits are designed to provide reasonable protection against harmful interference in a residential installation. This equipment generates, uses and can radiate radio frequency energy and, if not installed and used in accordance with the instructions, may cause harmful interference to radio communications. However, there is no guarantee that interference will not occur in a particular installation. If this equipment does cause harmful interference to radio or television reception, which can be determined by turning the equipment off and on, the user is encouraged to try to correct the interference by one of the following measures:
— Reorient or relocate the receiving antenna.
— Increase the separation between the equipment and receiver.
— Connect the equipment into an outlet on a circuit different from that to which the receiver is connected.

— Consult the dealer or an experienced radio/TV technician for help.
FCC Caution: Any changes or modifications not expressly approved by the party responsible for compliance could void the user's authority to operate this equipment.
This transmitter must not be co-located or operating in conjunction with any other antenna or transmitter.
Radiation Exposure Statement
This equipment complies with FCC radiation exposure limits set forth for an uncontrolled environment. This equipment should be installed and operated with minimum distance 20cm between the radiator & your body.
NOTE: (1) The manufacturer is not responsible for any radio or TV interference caused by unauthorized modifications to this equipment. (2) To avoid unnecessary radiation interference, it is recommended to use a shielded RJ45 cable.



Caution:

Adapter Model: BN049-A05009E
Manufacturer: SHENZHEN HEWEISHUN NETWORK TECHNOLOGY CO.,LTD
Input: 100-240V ac 50Hz/60Hz 0.3A
Output: 9Vdc, 600mA
== DC Voltage



RECYCLING

This product bears the selective sorting symbol for Waste electrical and electronic equipment (WEEE). This means that this product must be handled pursuant to European directive 2012/19/EU in order to be recycled or dismantled to minimize its impact on the environment.
User has the choice to give his product to a competent recycling organization or to the retailer when he buys a new electrical or electronic equipment.

Technical Support

Shenzhen Tenda Technology Co., Ltd.
6-8 Floor, Tower E3, NO.1001, Zhongshanyuan Road, Nanshan District, Shenzhen, China. 518052

Global Hotline: (86) 755-27657180
HongKong Hotline: 00852-81931998
E-mail: support@tenda.com.cn
Website: <http://www.tendacn.com>

Copyright

© 2017 Shenzhen Tenda Technology Co., Ltd. All rights reserved.
Tenda is a registered trademark legally held by Shenzhen Tenda Technology Co., Ltd. Other brand and product names mentioned herein are trademarks or registered trademarks of their respective holders. Specifications are subject to change without notice.
Operating Temperature: 0°C-40°C
Operating Humidity: (10-90)%RH, non-condensing